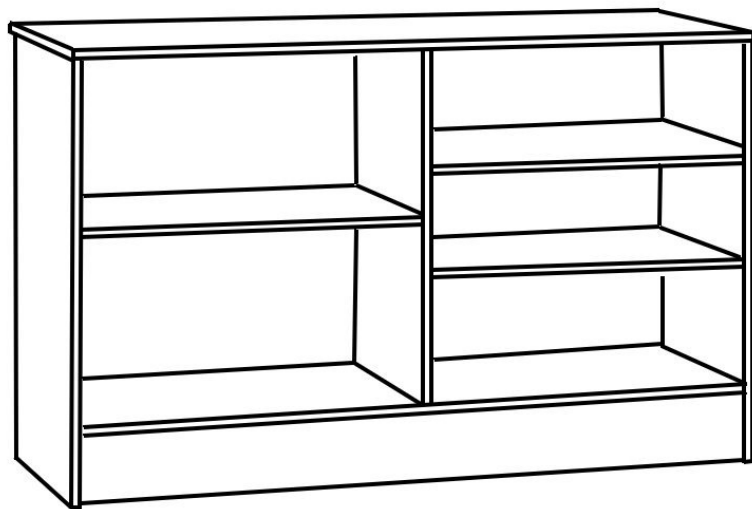
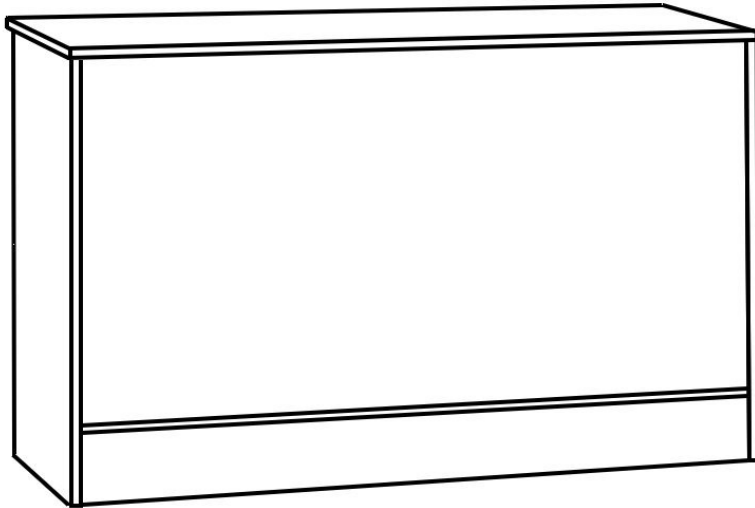


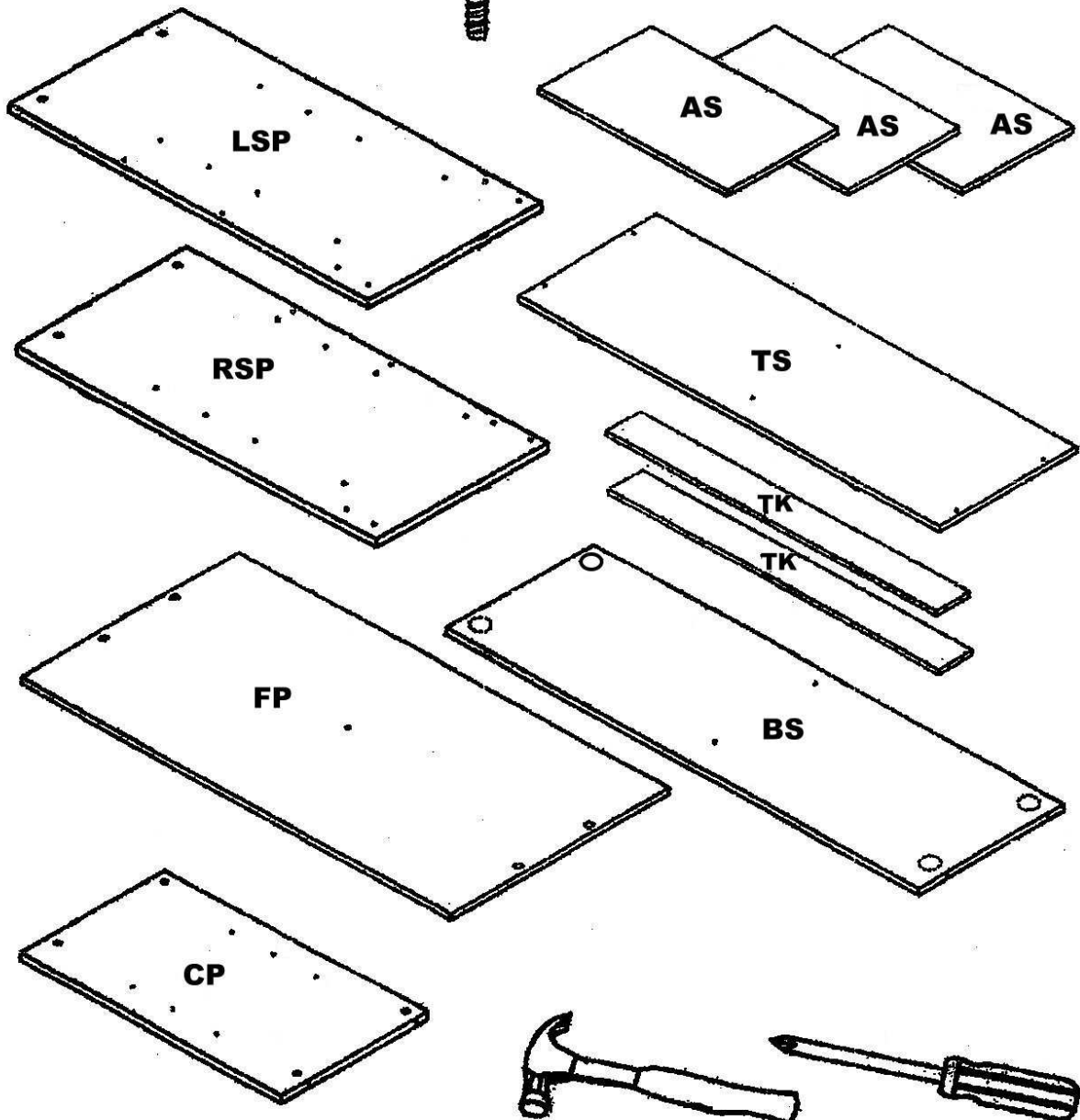
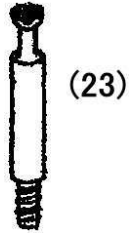
WRAP COUNTER



NOTE: It is recommended that two persons assemble this unit.

ASSEMBLY INSTRUCTIONS

PARTS LIST



(23)

(23)

(12)

LSP

AS

AS

AS

RSP

TS

TK

TK

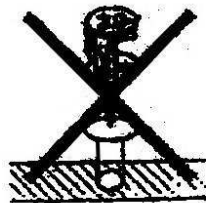
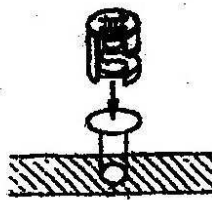
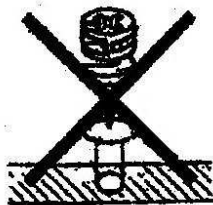
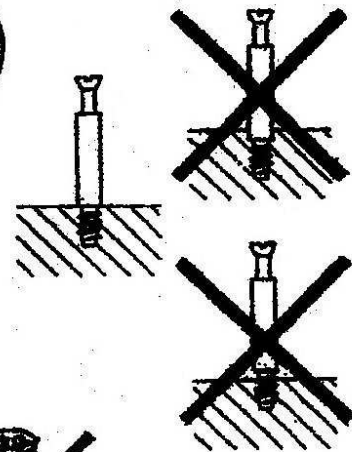
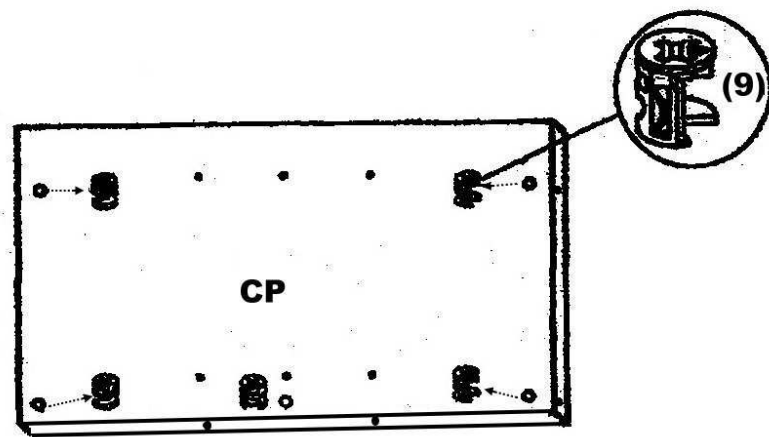
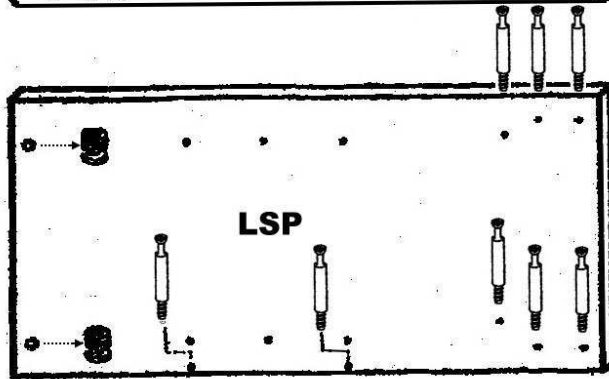
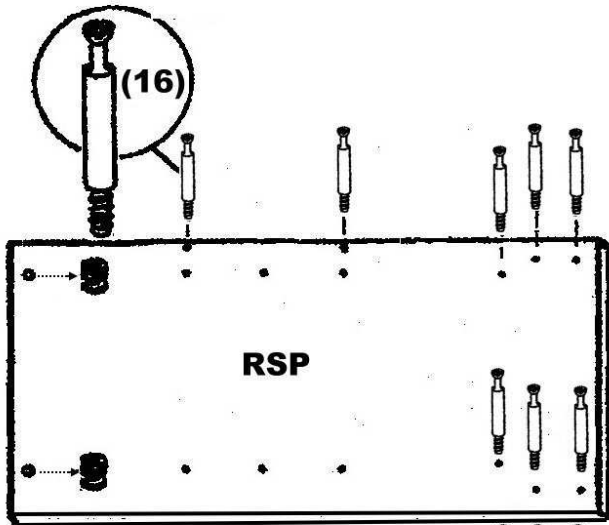
FP

BS

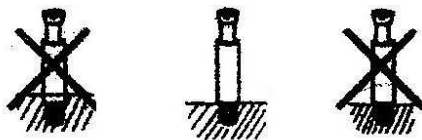
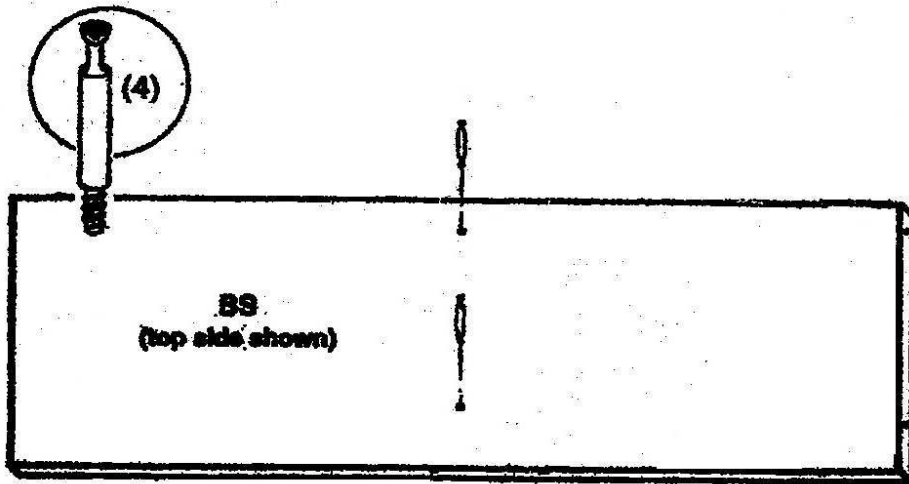
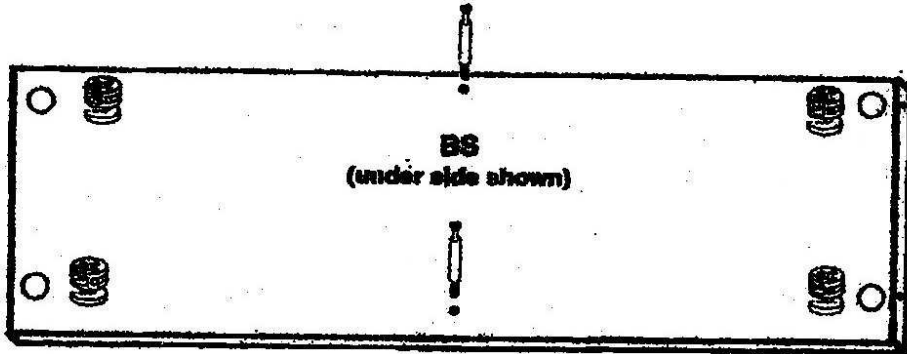
CP



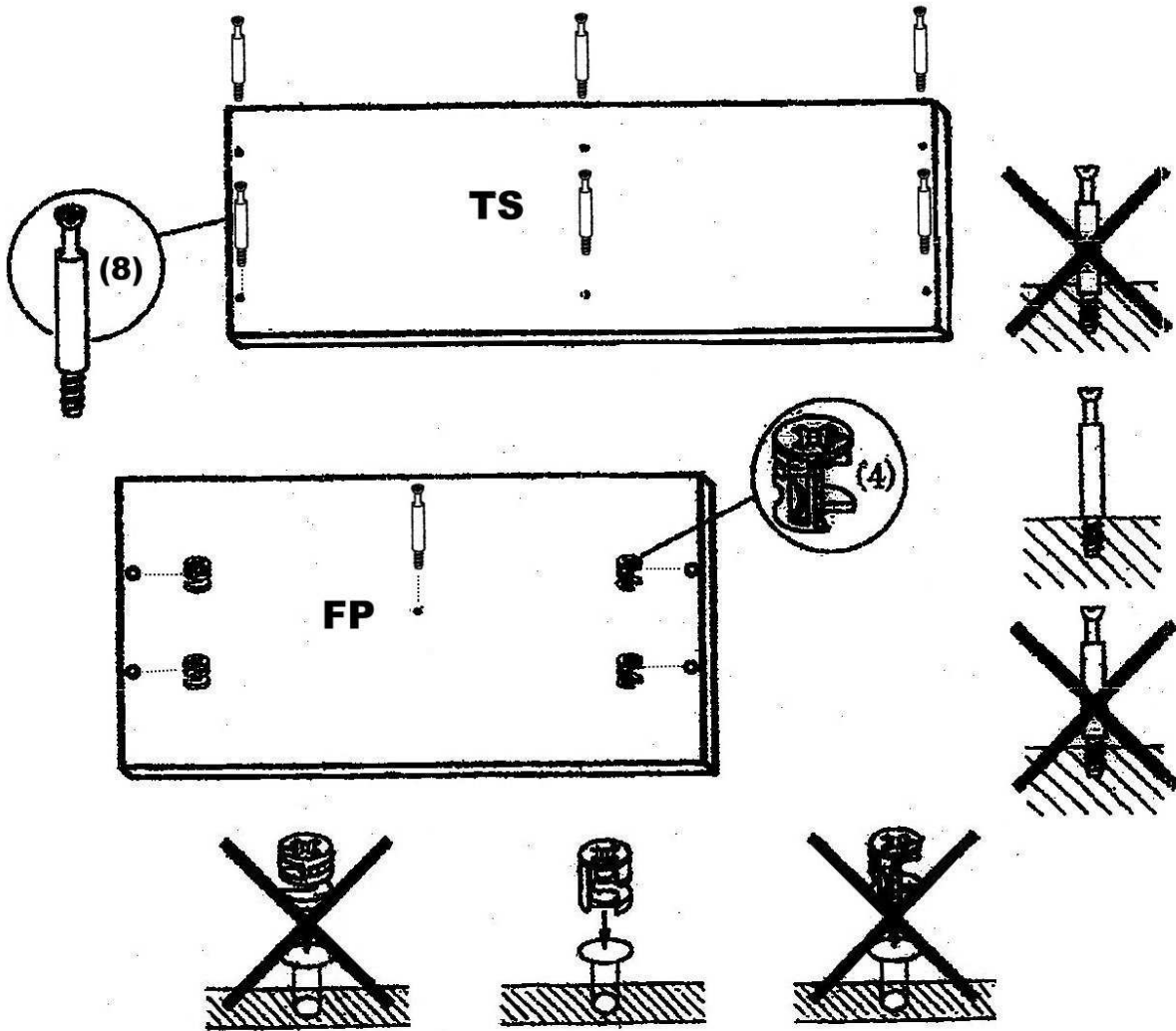
1



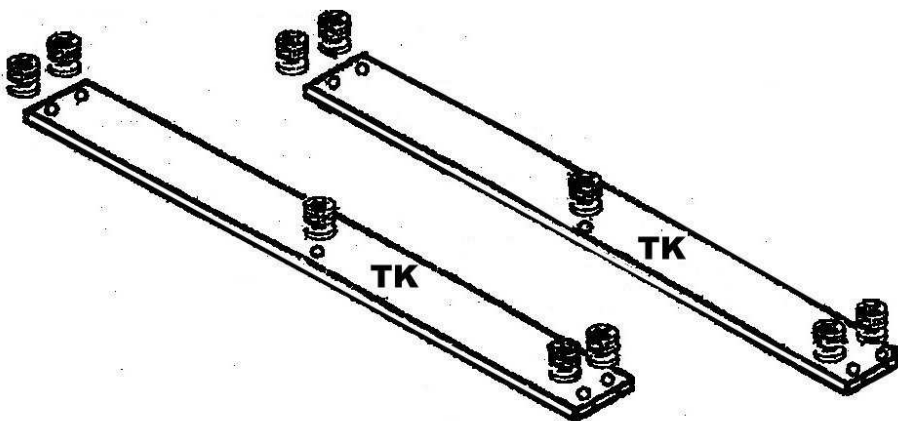
2



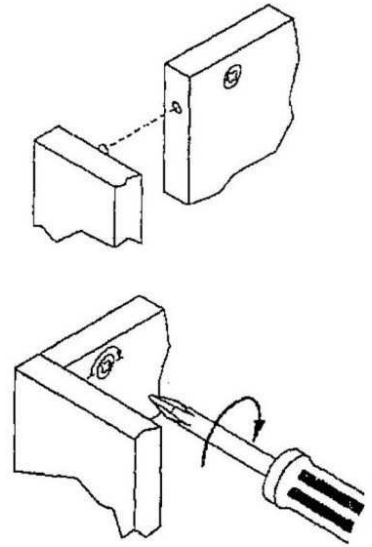
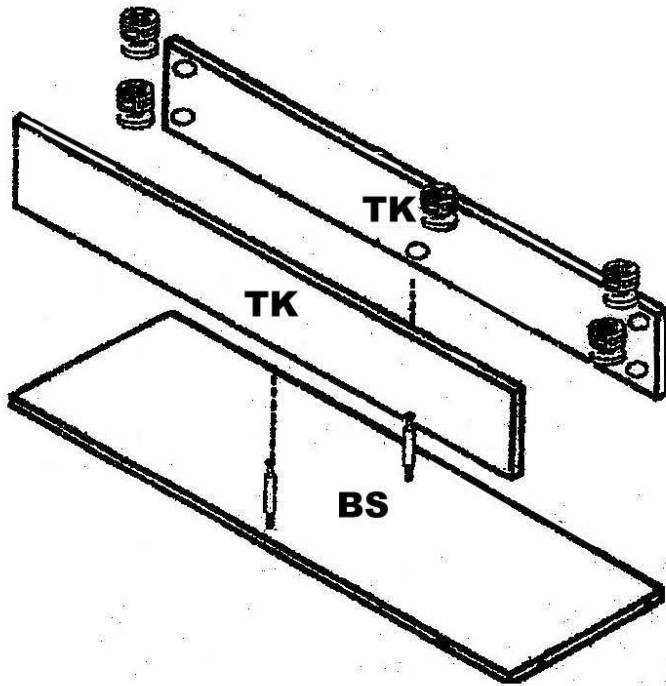
3



4

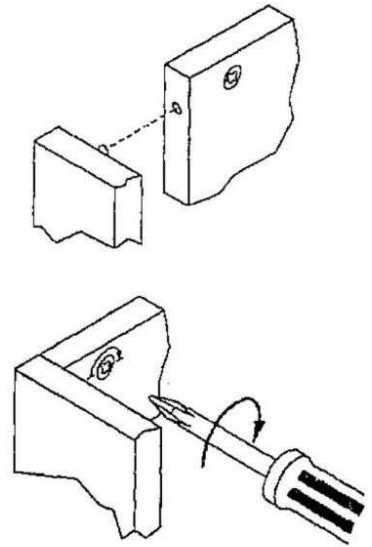
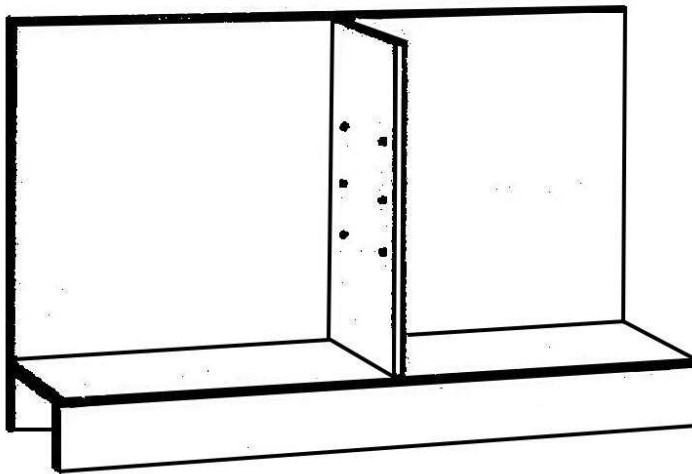


5



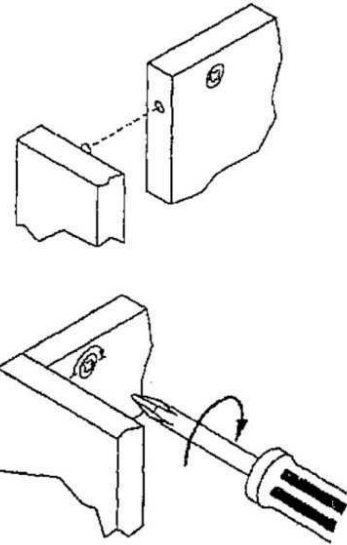
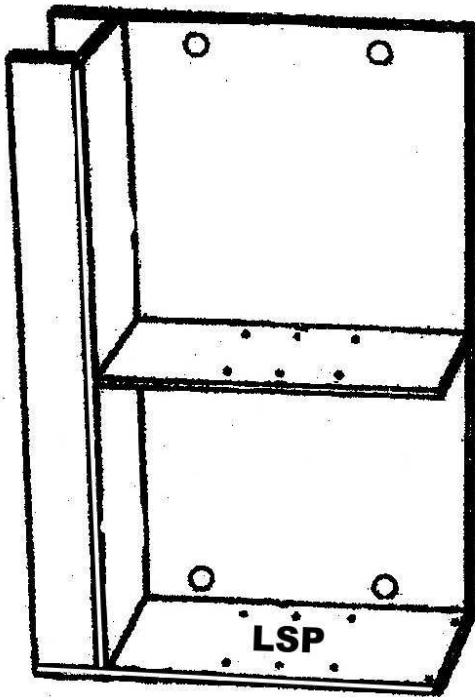
Fasten panels together and make sure all cams are locked.

6

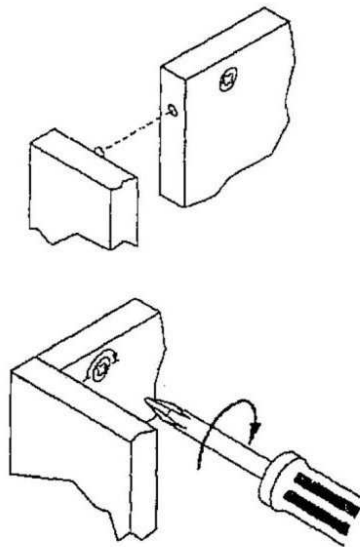


Fasten panels together and make sure all cams are locked.

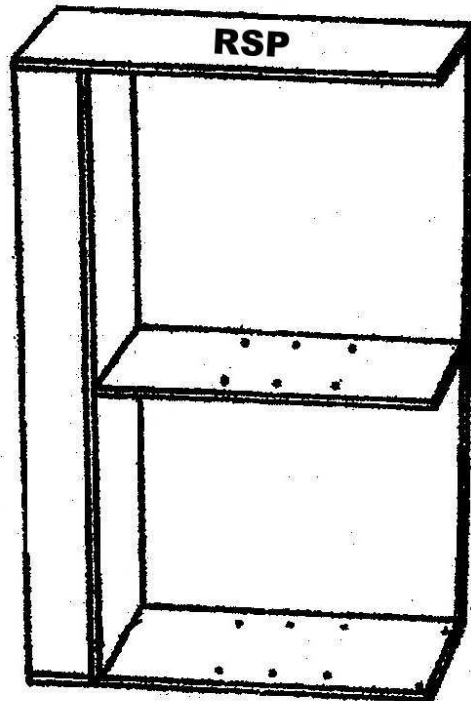
7



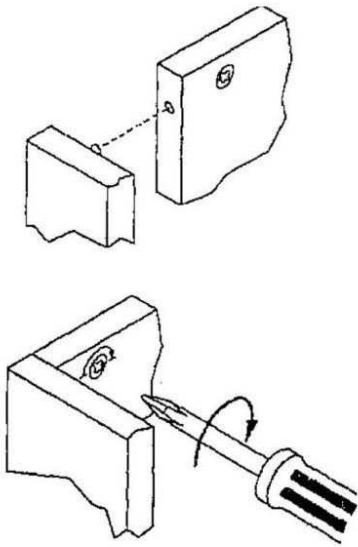
Fasten panels together and make sure all cams are locked.



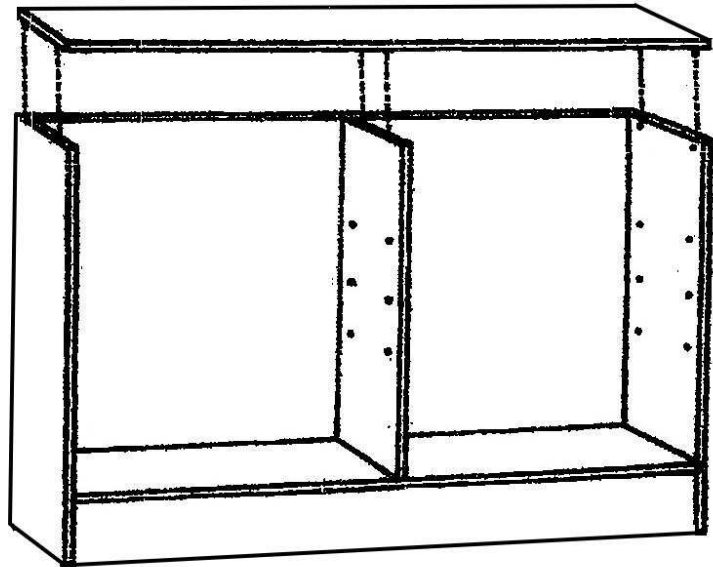
Fasten panels together and make sure all cams are locked.



8



Fasten panels together and make sure all cams are locked.



9

