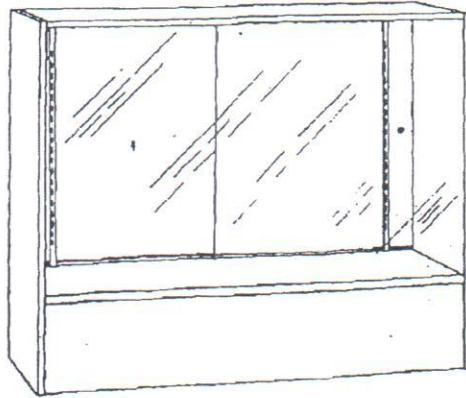
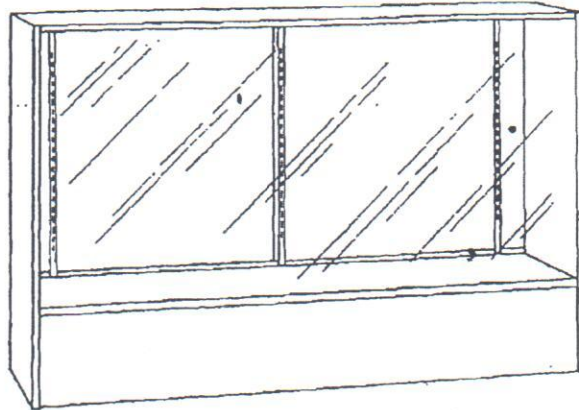


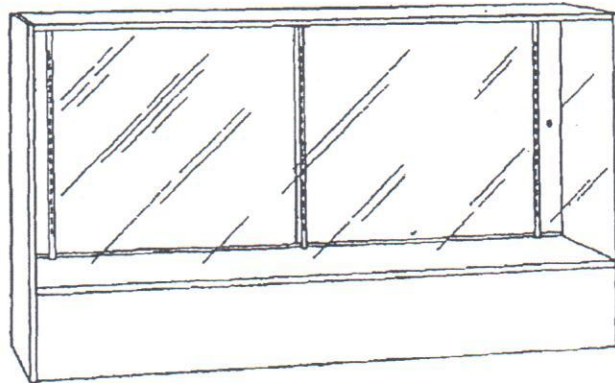
4-FOOT SHOWCASE



5-FOOT SHOWCASE



6-FOOT SHOWCASE



NOTE: It is recommended that two persons assemble this unit.

ASSEMBLY INSTRUCTIONS

THANK YOU FOR CHOOSING OUR SHOWCASE

PARTS LIST

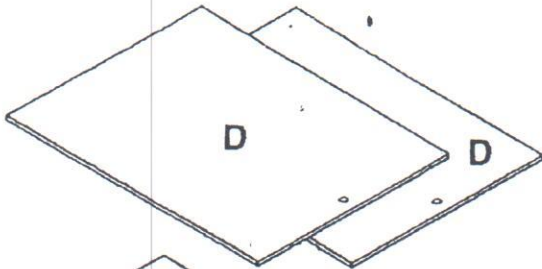
FELTS PLASTIC GASKET,
ALUMINUM EXTRUSIONS,
STANDARDS, BRACKETS
AND SCREWS PACKED
IN ONE CARTON



(16)

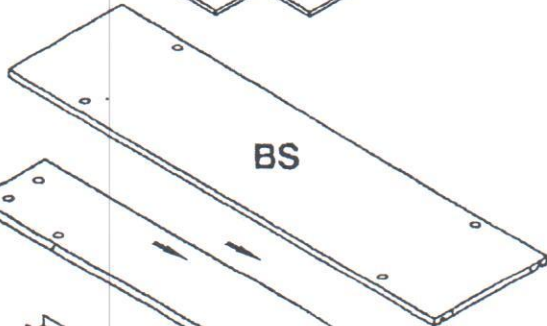


(16)

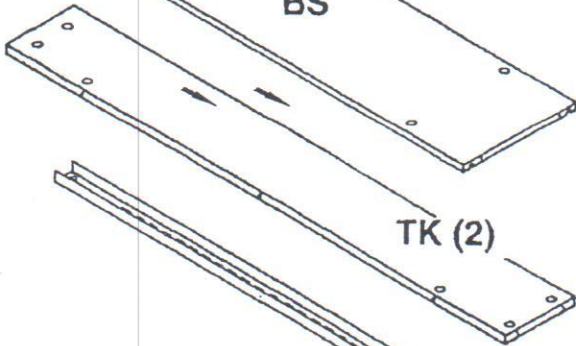


D

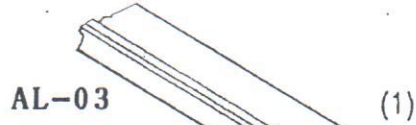
D



BS

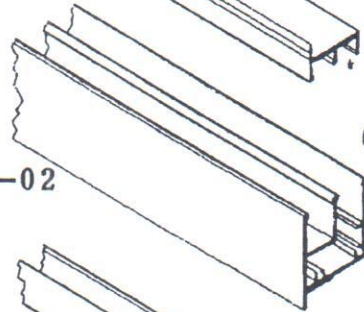


TK (2)



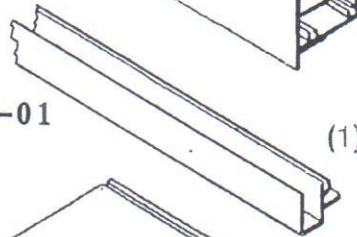
AL-03

(1)



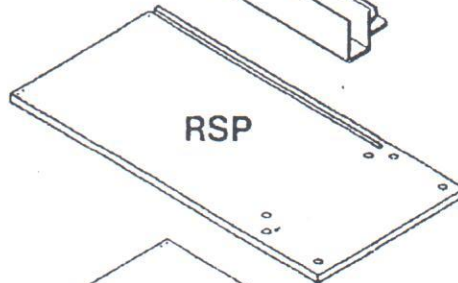
AL-02

(1)

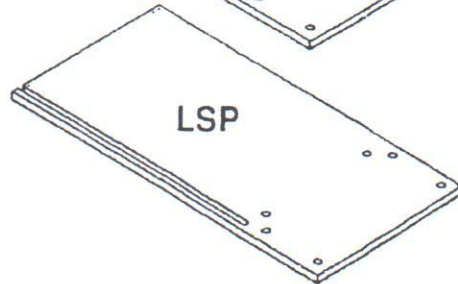


AL-01

(1)



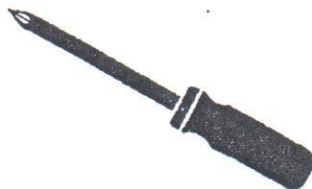
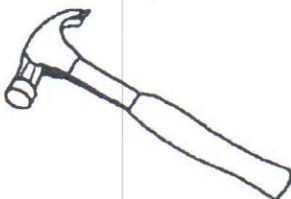
RSP



LSP

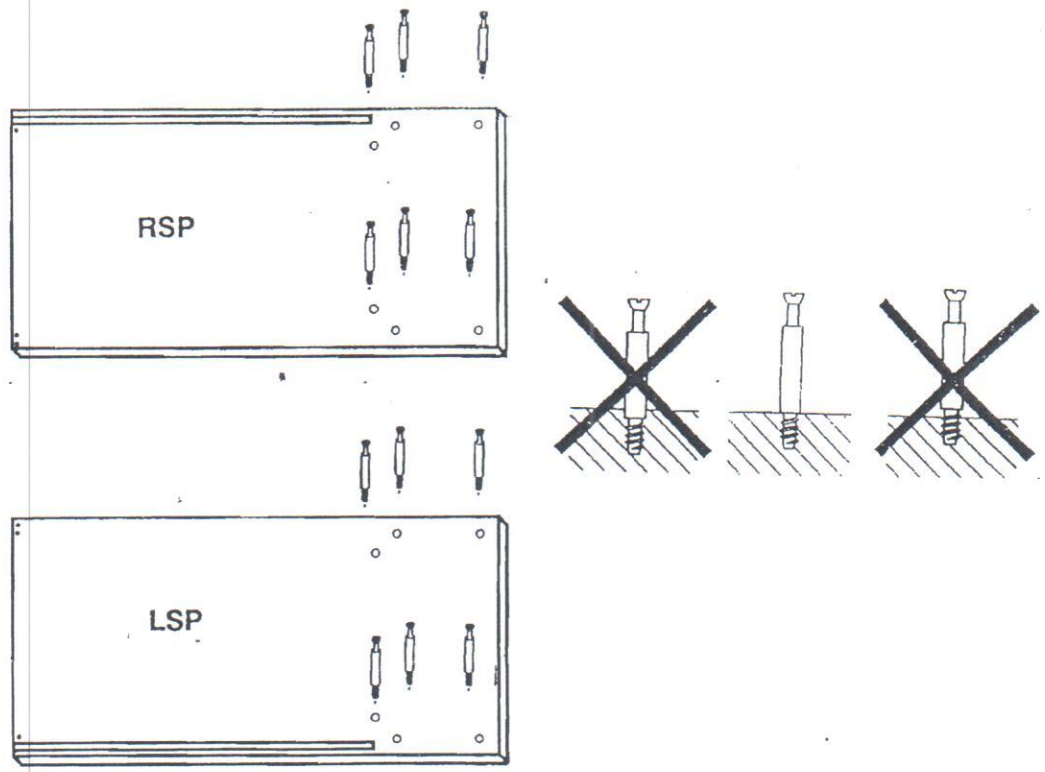
(2) For 4-ft. Showcase unit
(3) For 5-ft. & 6-ft. Showcase unit

TOOLS REQUIRED

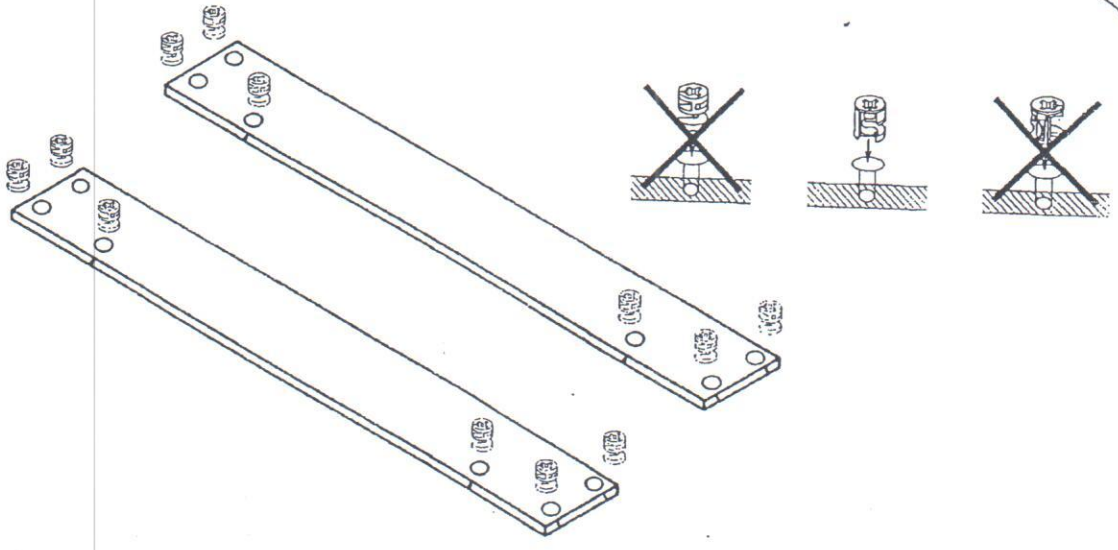


1/16" Drill bit

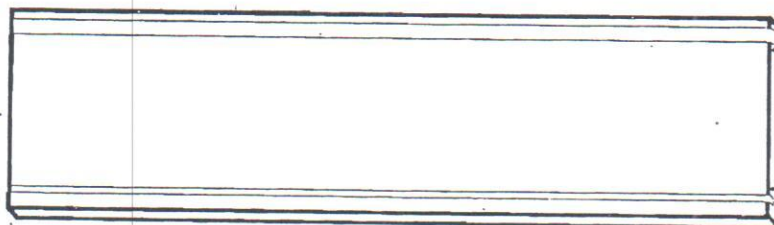
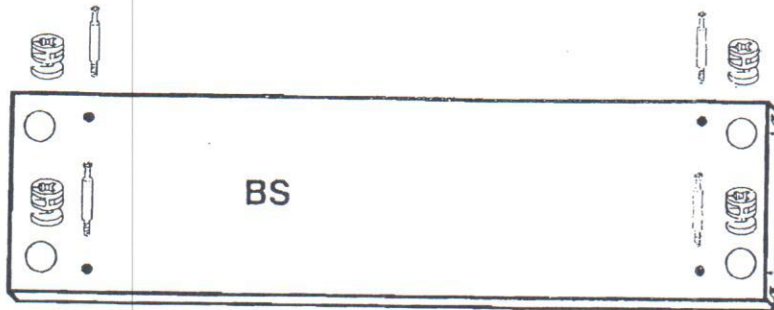
1



2



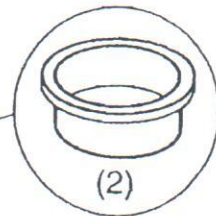
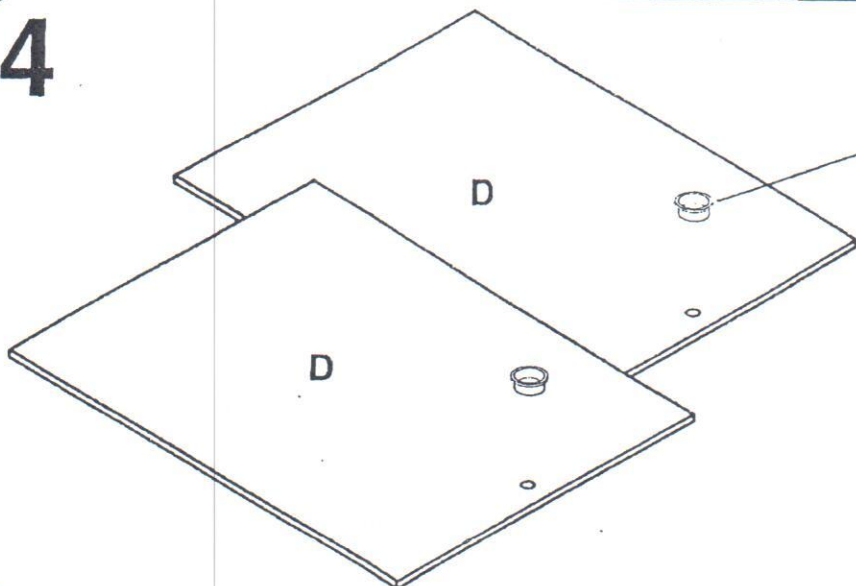
3



6mm groove

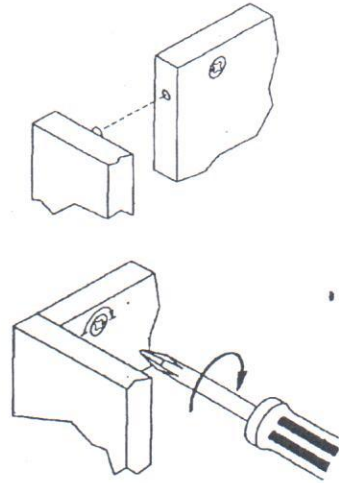
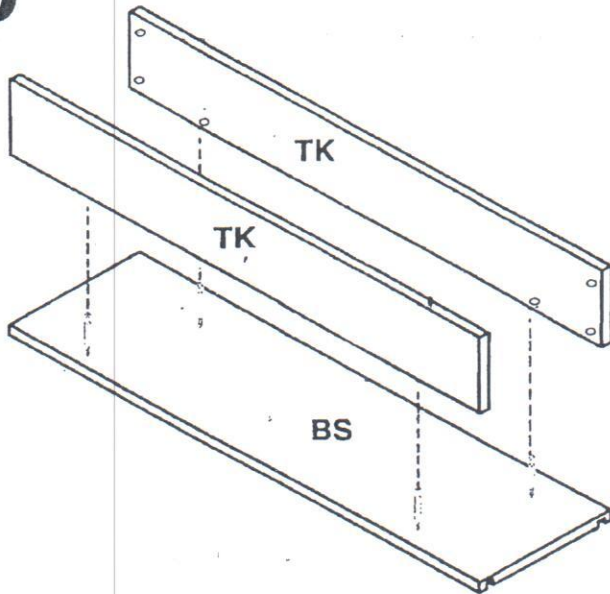
2mm groove

4



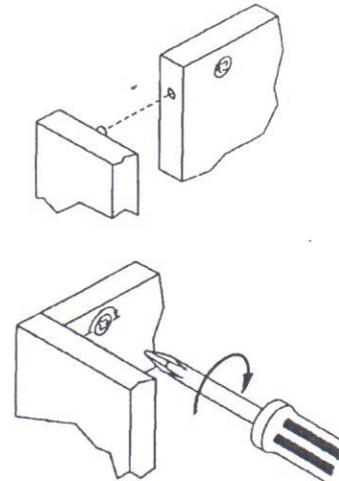
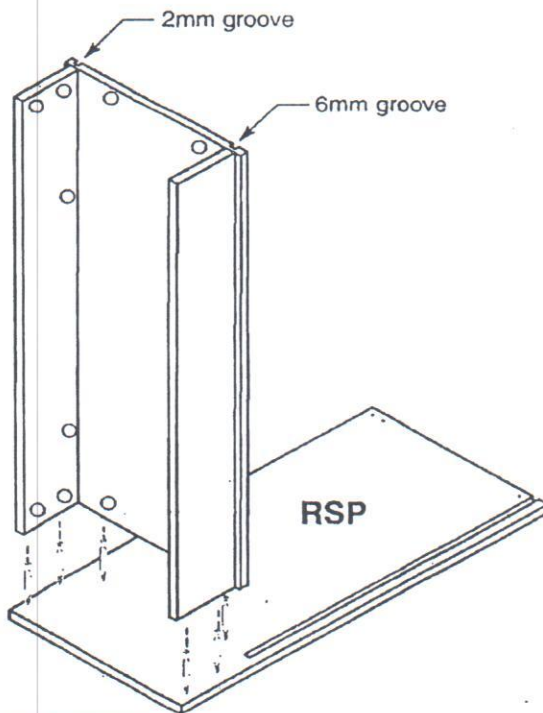
(DONE IN FACTORY)

5



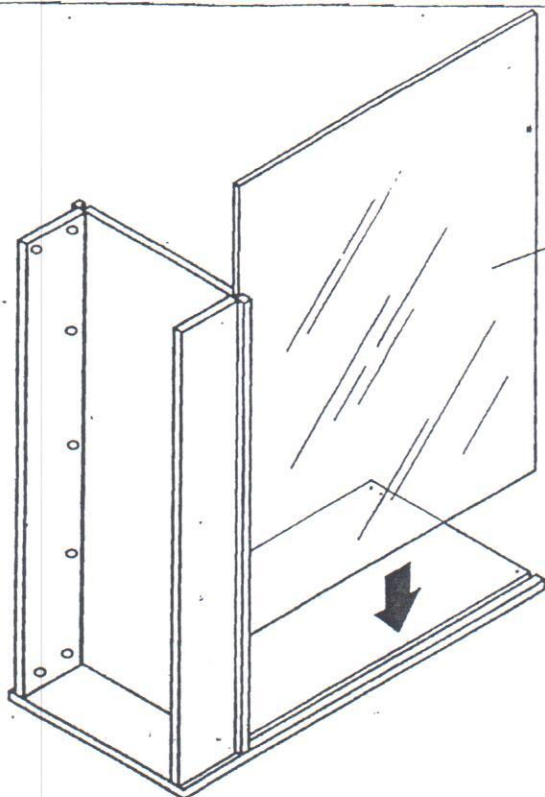
Fasten panels together and make sure all cams are locked.

6



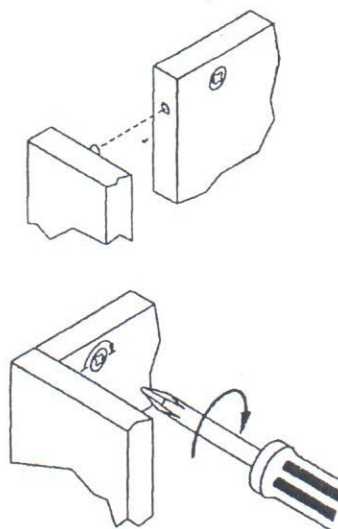
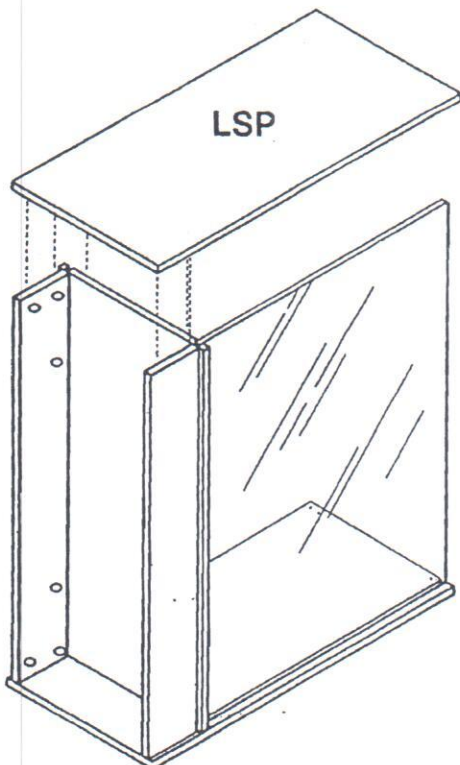
Fasten panels together and make sure all cams are locked.

7



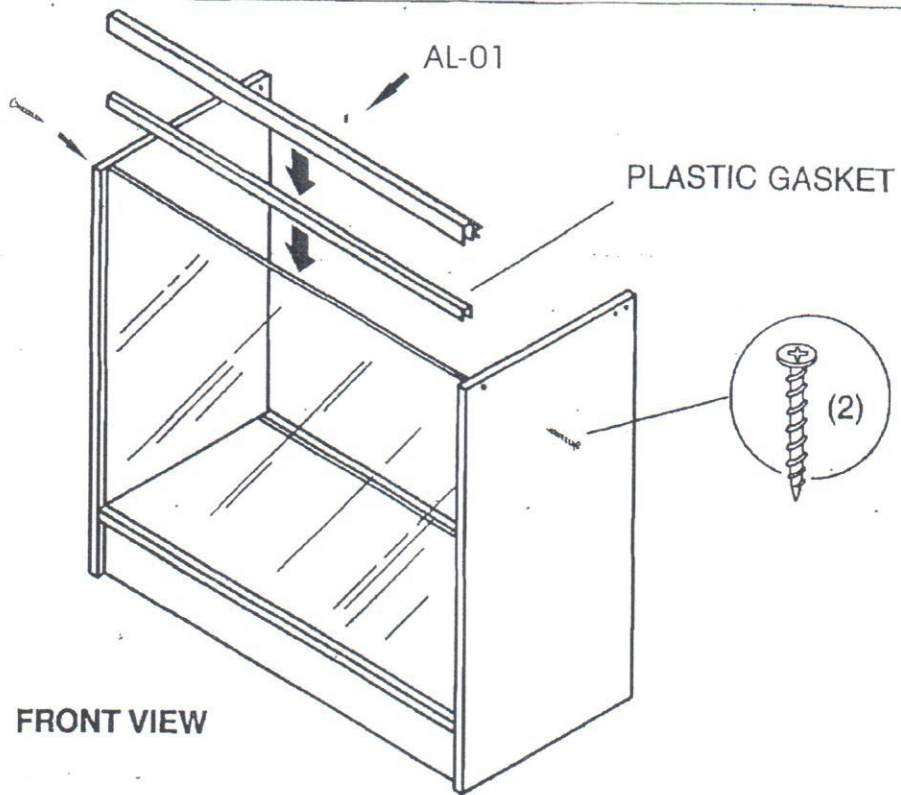
FRONT GLASS PANEL
(4 PCS OF GLASS PACKED IN ONE CARTON)

8

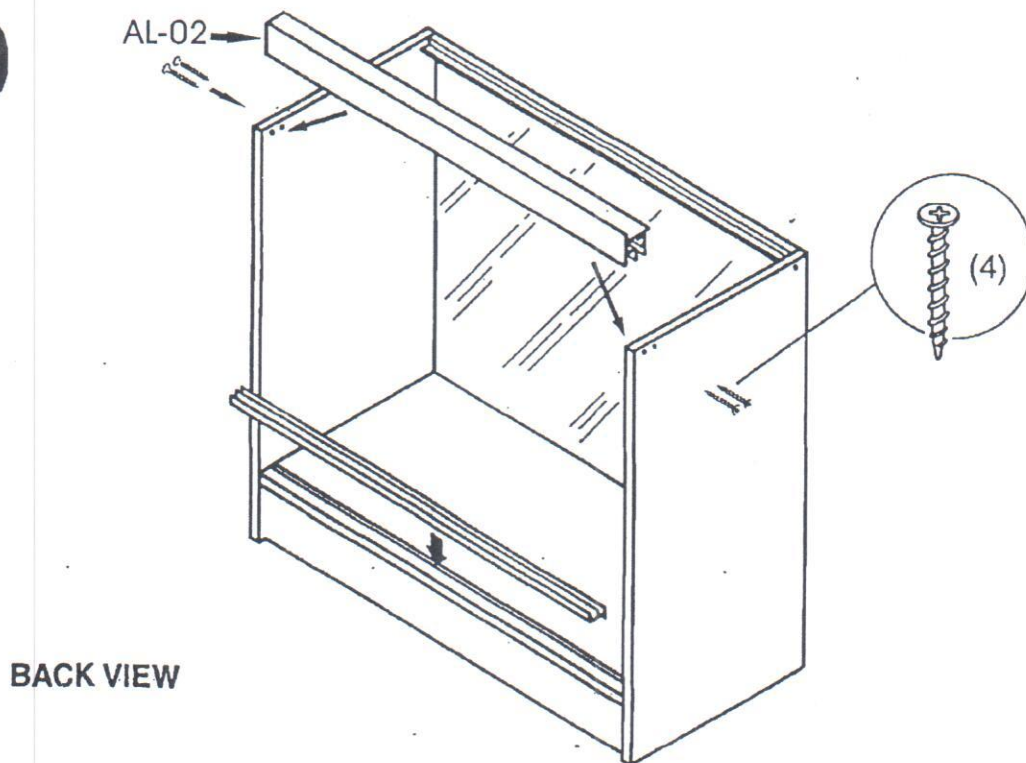


Fasten panels together and
make sure all cams are locked.

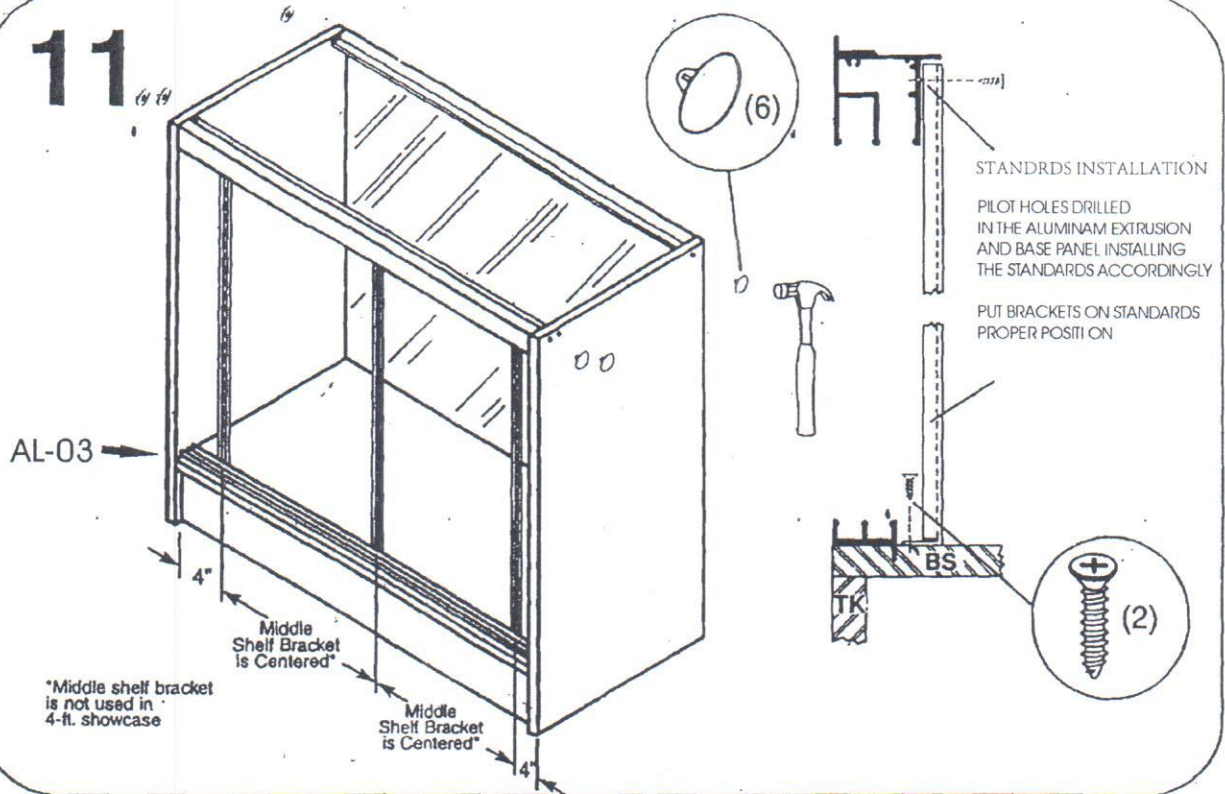
9



10



11



12

